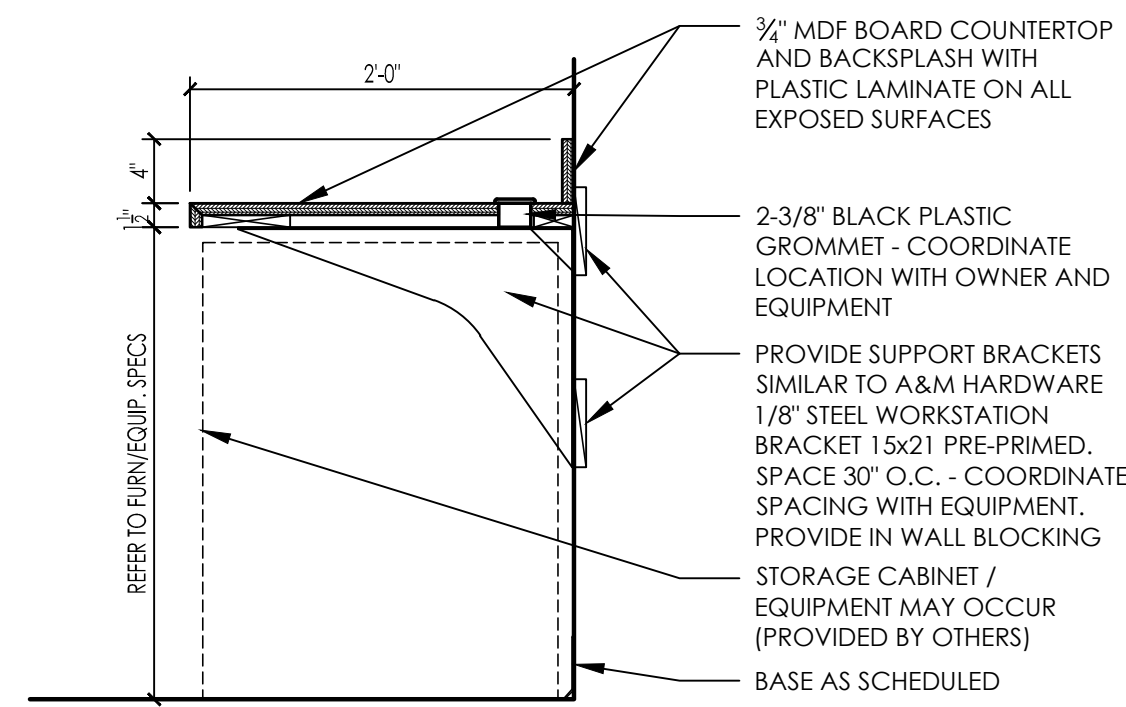
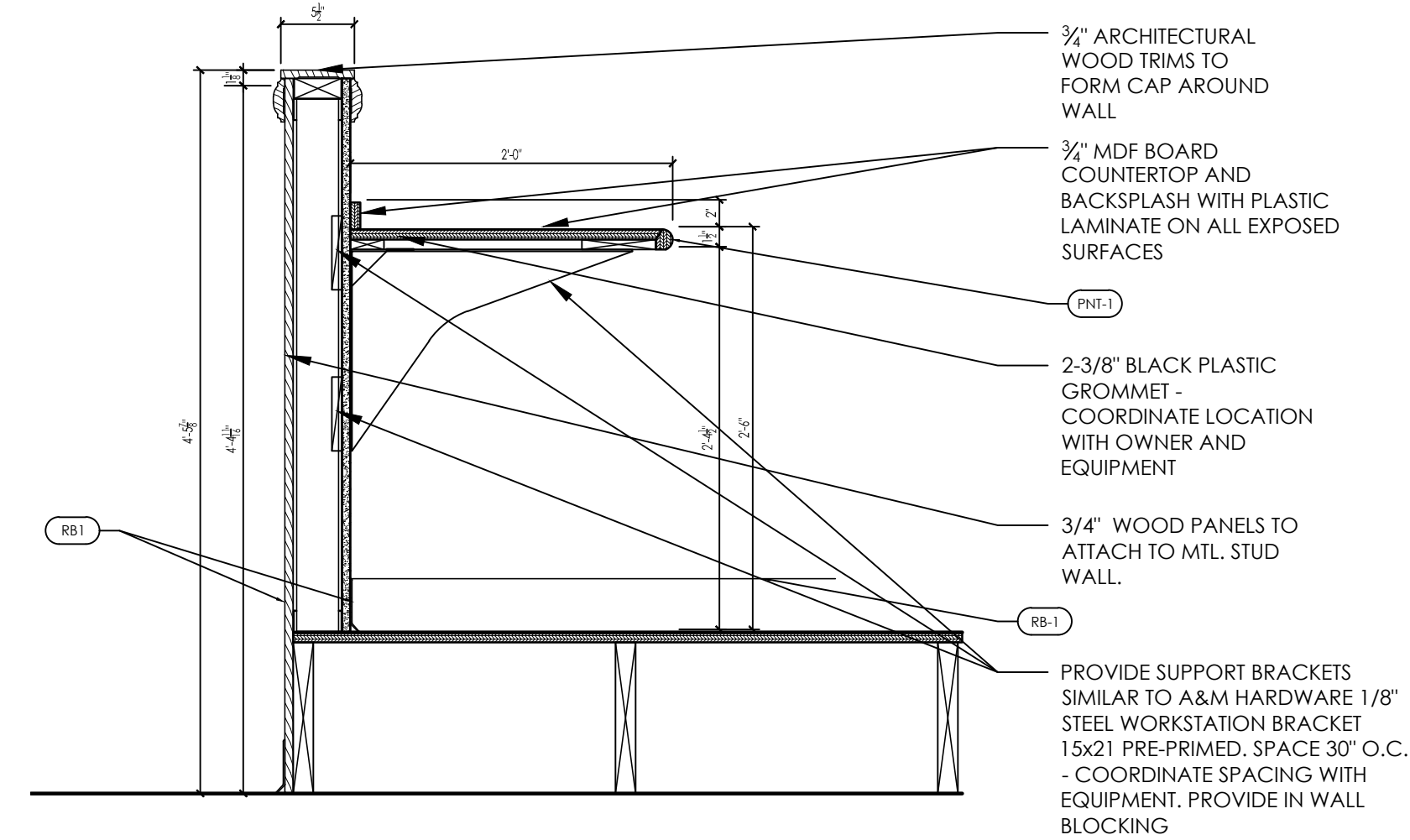


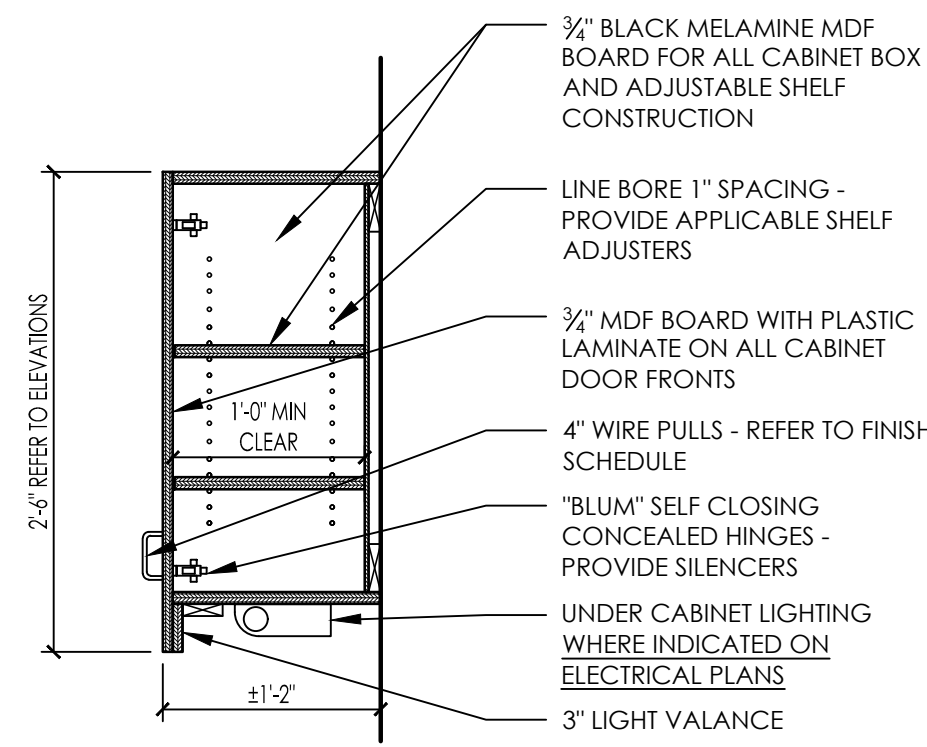
PHASE II OF:  
**ST. CLAIR COUNTY  
ADMINISTRATIVE BUILDING  
RENOVATIONS**  
Ashville, Alabama



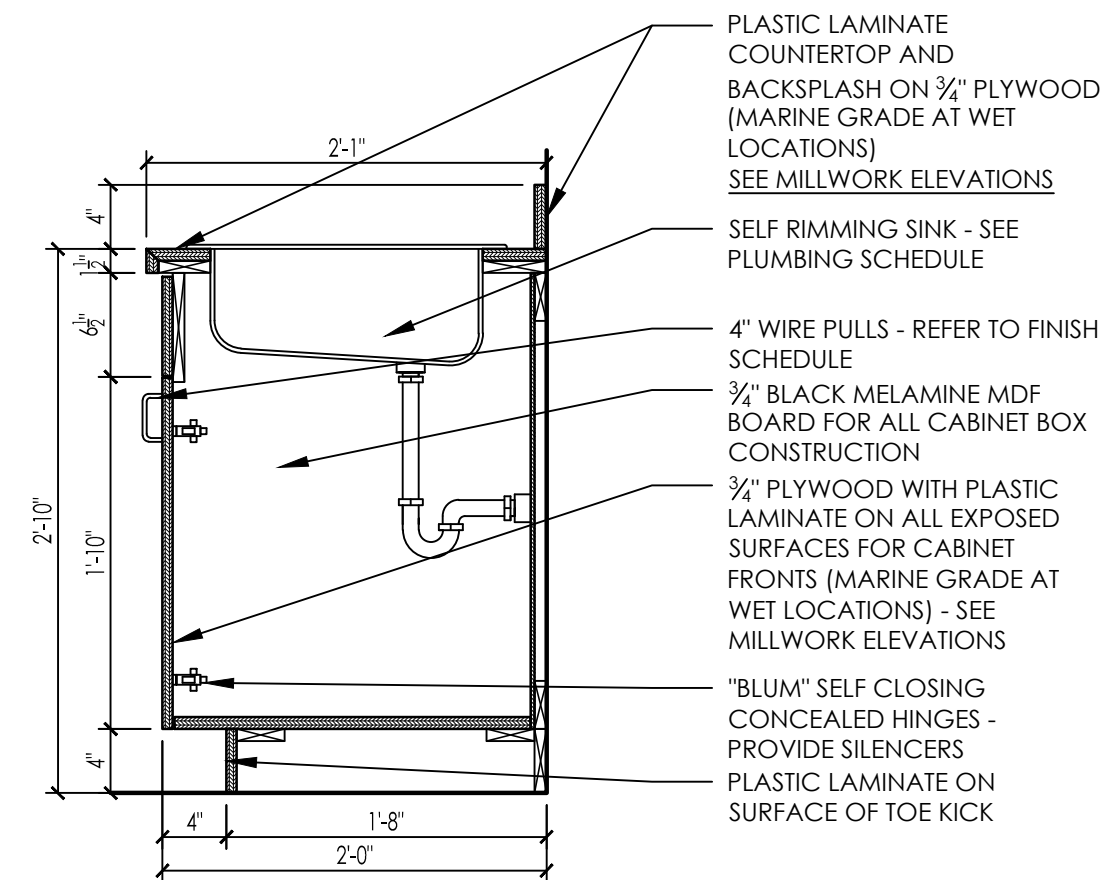
04 MILLWORK SECTION  
A7.2 SCALE: 1" = 1'-0"



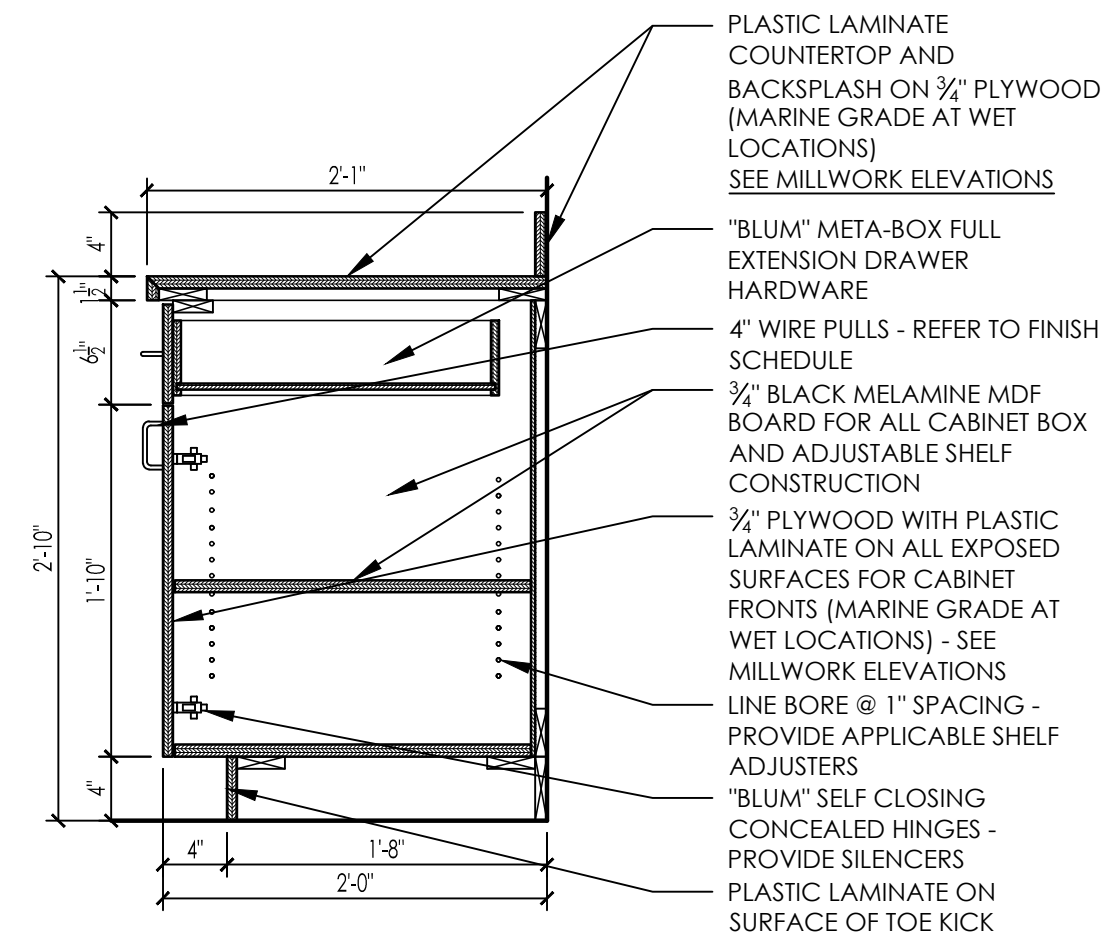
05 MILLWORK SECTION  
A7.2 SCALE: 1" = 1'-0"



03 MILLWORK SECTION  
A7.2 SCALE: 1" = 1'-0"



02 MILLWORK SECTION  
A7.2 SCALE: 1" = 1'-0"



01 MILLWORK SECTION  
A7.2 SCALE: 1" = 1'-0"

RELEASES / DESCRIPTION / DATES

NOT FOR CONSTRUCTION   
RELEASED FOR CONSTRUCTION

DATE 05.11.16  
DRAWN MJ  
CHECKED TM  
APPROVED H+HA

PROJECT NUMBER 15002.00

SHEET TITLE  
MILLWORK SECTIONS PHASE II

DRAWING NO. **A7.2**